

# CASSETTE HEATER UNIT25 INSTALLATION PROCEDURE

Follow the instructions herein when installing the heater to the paper deck.

1	Unpacking
---	-----------

Open the cardboard box containing the heater, and check to make sure that none of the items shown in Fig. 1-1 is missing.

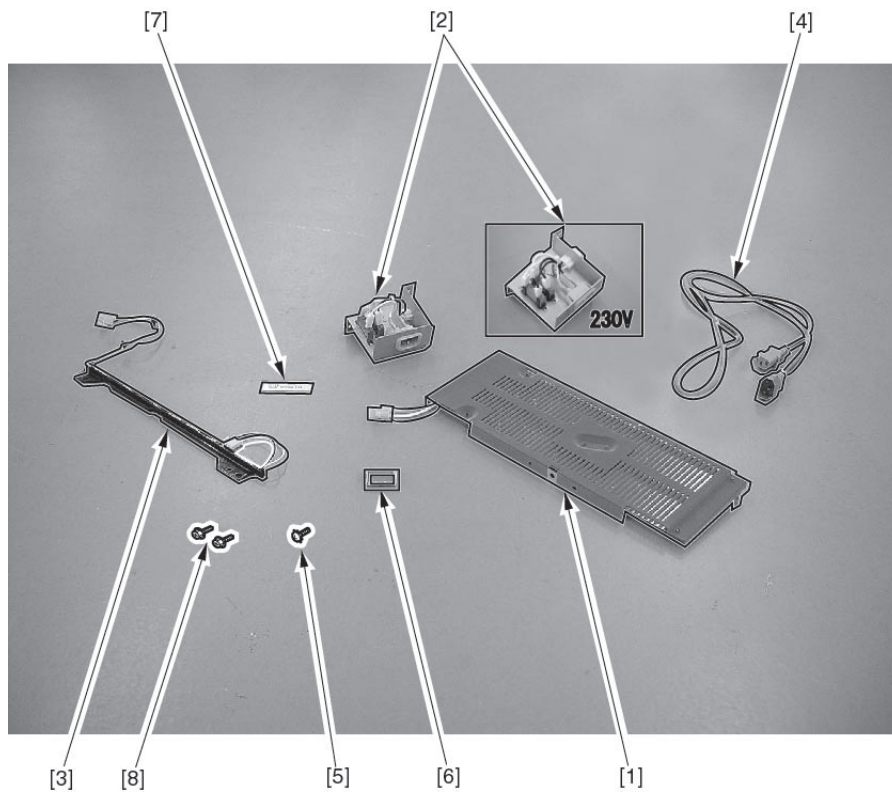


Fig. 1-1

- |                                             |      |                                 |       |
|---------------------------------------------|------|---------------------------------|-------|
| [1] Heater unit .....                       | 1pc. | [5] Screw (w/ washer) .....     | 1pc.  |
| [2] Power supply cord mount .....           | 1pc. | [6] Cable protection bush ..... | 1pc.  |
| [3] Relay harness unit .....                | 1pc. | [7] Power supply label .....    | 1pc.  |
| [4] AC cable(for copier power outlet) ..... | 1pc. | [8] RS tight screw (M4x8) ..... | 2pcs. |

## 2 Installing to the Paper Deck

Be sure to observe the following when installing the heater to the paper deck:

- a. Check to make sure that the copier's power plug is disconnected.
  - Turn off the control panel power switch.
  - Turn off the main power switch.
  - Disconnect the power cable (for the outlet).

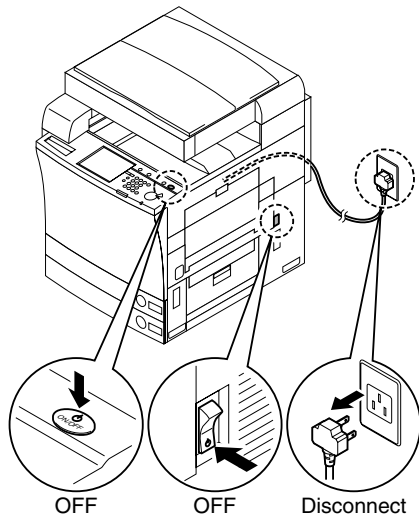


Fig. 2-1

- b. Check to make sure that the copier and the paper deck have been installed properly.
- c. Take care to identify the types of screws (length, diameter) and location.

### • Installation

- 1) Disconnect the connector [1] of the paper deck from the copier.

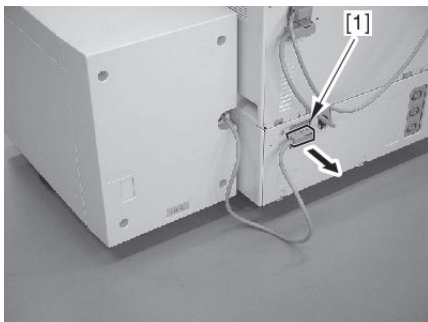


Fig. 2-2

- 2) Push the button [1] to release and detach the paper deck from the copier; then, push down the latch plate [2] to open the compartment.

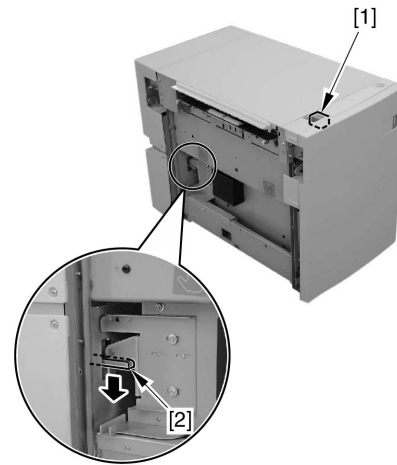


Fig. 2-3

- 3) Remove the three screws [1], and move the right cover [2] of the paper deck to remove.

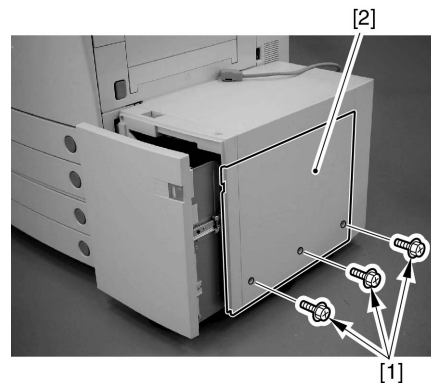


Fig. 2-4

- 4) Remove the four A screws [1] and two B screws [2]; then, and remove the rear cover of the paper deck [3].

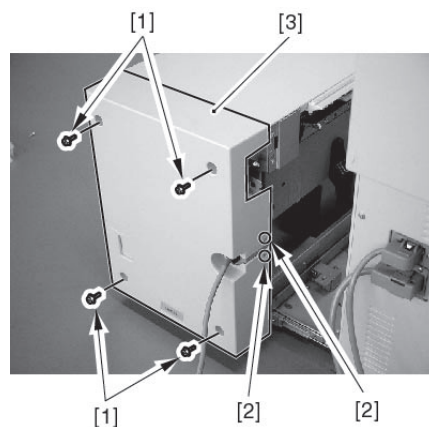


Fig. 2-5

5) Remove the three screws [1], and disconnect the connector [2]; then, remove the front cover (upper) [3].

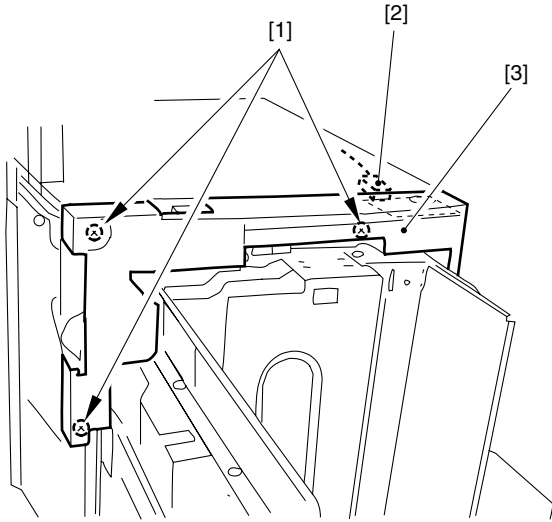


Fig. 2-6

8) Put the heater unit [1] under the paper deck top plate, and lead out the connector [2] through the opening [3] in the top plate.

9) Engage the two hooks on the heater unit on the slit [4] in the paper deck top plate and fix it in place to the paper deck with a screw (w/ washer) [5].

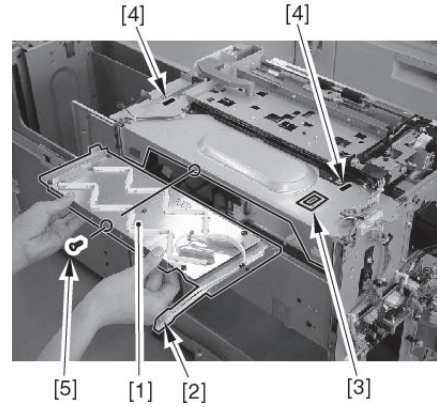


Fig.2-9

6) Remove the two screws [1], and remove the upper cover [2].

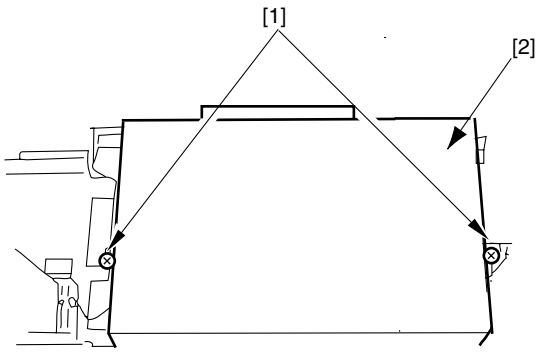


Fig. 2-7

10) Set the heater connector [2] on the panel mount [1].

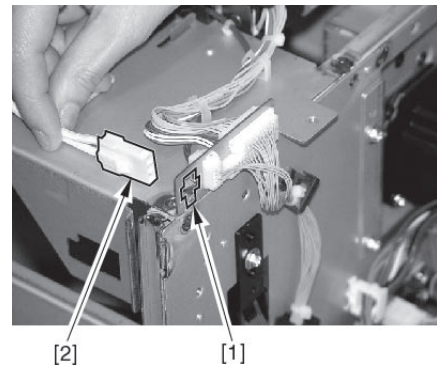


Fig. 2-10

7) Install the cable protection bush [1] that comes with the heater to the opening [2] in the paper deck top plate.

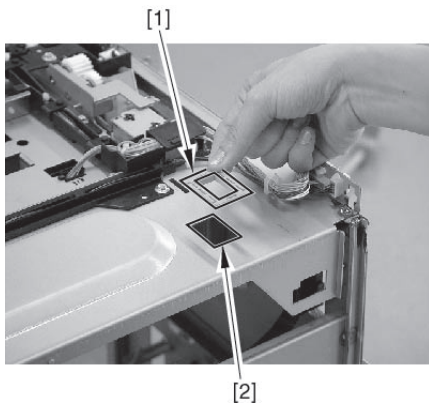


Fig 2-8

11) Remove the two screws [1], and remove the power supply cord mount [2] from the paper deck; then, install the power supply cord mount that comes with the heater with removed two screws.



Do not use the power supply cord mount that has been attached to the removed paper deck.

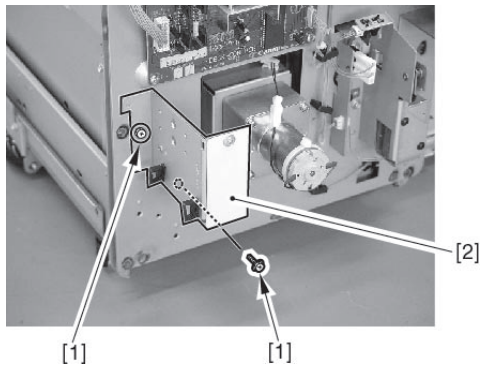


Fig. 2-11

12) Mount the relay harness unit [2] to the rear side plate of the paper deck with two screws [1].

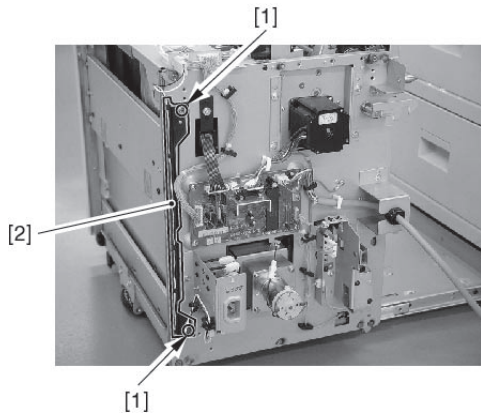


Fig. 2-12

13) Pass the relay harness through the cable guides [3] on 2 positions on the power supply cord mount.

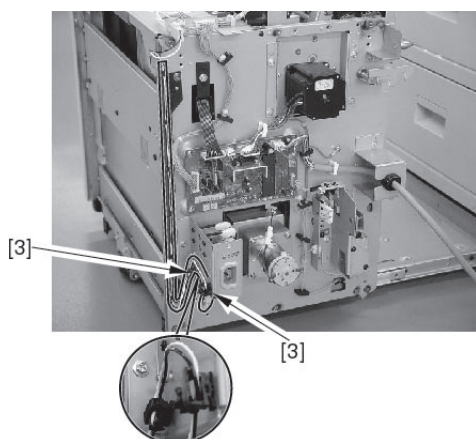


Fig. 2-13

14) Connect the connectors on both ends of the relay harness unit to the heater connector [4] and the AC power supply connector [5].

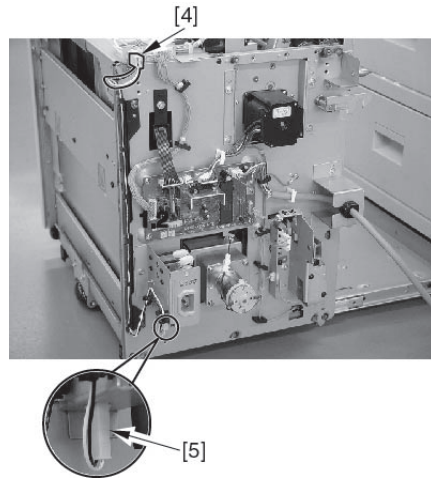


Fig. 2-14

15) Install the external covers of the paper deck in order:

- [1] Upper cover\* (M4 x 8; 2 pc.)
- [2] Front cover (upper)\*\* (M4 x 8; 3 pc.)
- [3] Rear cover\* (M3 x 8; 2 pc.; M4 x 8; 4 pc.)
- [4] Right cover (M4 x 8; 3 pc.)

- \* Avoid trapping wire.
- \*\* Connect the connector.



When installing the right cover, put the claws [1] of the cover (found on the edge) into the holes [2], and, fit the rim [3] under the rear cover [4].

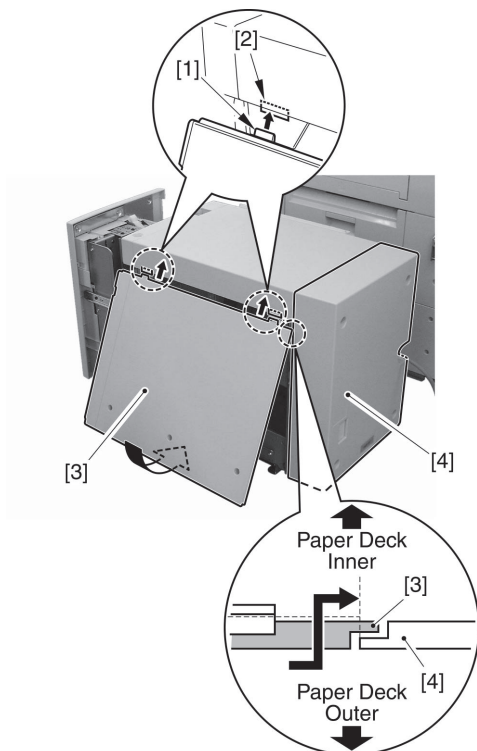


Fig. 2-15

16) Slide the paper deck to the left to set it to the copier.

17) Connect the connector [1] of the paper deck to the back of the copier.

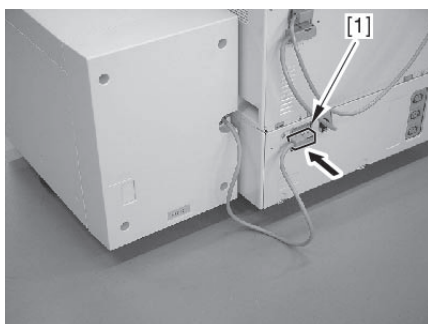


Fig. 2-16

18) Attach the power supply label [1] to the rear cover of the paper deck as indicated in Fig. 2-17.

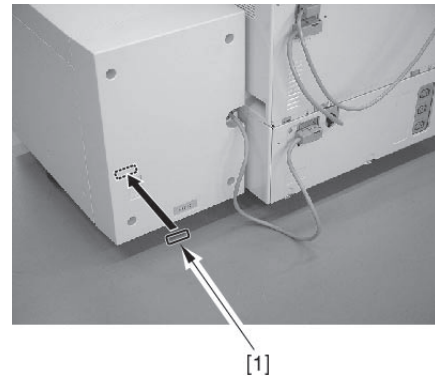


Fig. 2-17

19) Connect one end of the AC cable (for copier power outlet) to the power supply cord mount of the heater. Connect the power plug on the other end of the cable to the AC outlet provided on the rear side of the cassette pedestal.



- Advise the user not to place any object where indicated (shaded) in Fig. 2-18 when connecting the power plug of the heater so that the paper deck may be opened and closed normally.

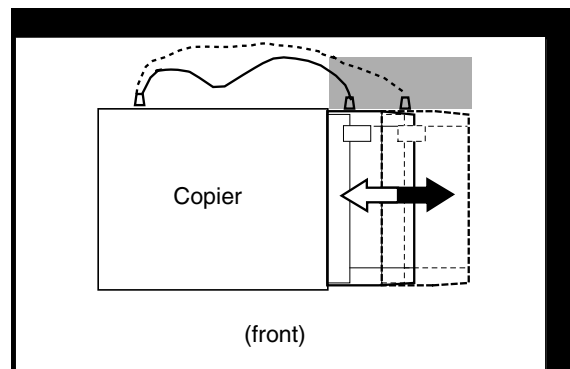


Fig. 2-18